

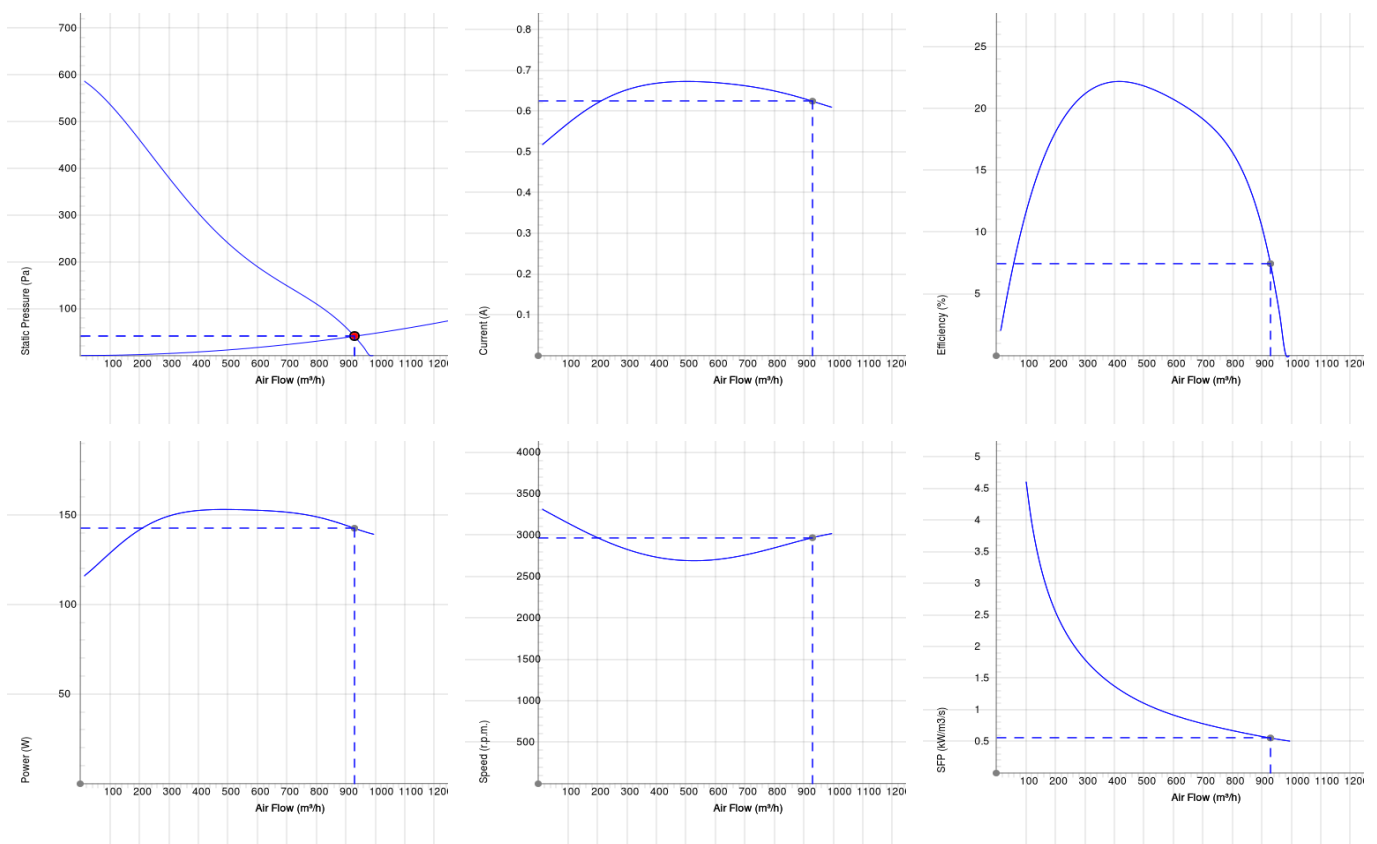
CK 150 C (50)/60HZ



CK

- Duct fan with circular connection.
- Proven performance and reliability.
- Compact with high capacity and efficiency.
- Low sound levels.
- Impeller with backward curved blades.
- The external rotor motor has maintenance-free sealed ball-bearings.
- Integrated motor protection.
- Junction box has enclosure class IP 54.
- For speed control a transformer or electronic speed controller can be connected.
- Fan housing is manufactured from galvanized sheet steel.
- The fan is intended to be installed in a duct system.
- When duct connected the fan can be installed outside or in damp environments.
- Easy installation in any position.

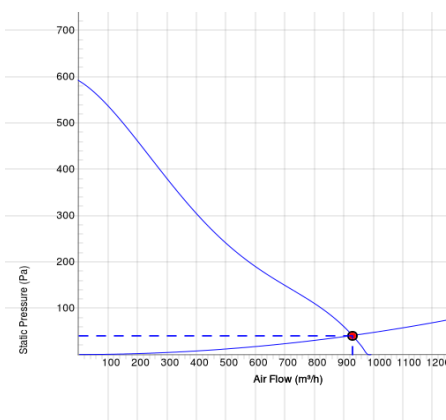
DIAGRAMS



Work Point

Air Flow (m³/h) 929	Static Pressure (Pa) 41.1	Power (W) 143	Speed (r.p.m.) 2968	Current (A) 0.624	Efficiency (%) 7.44	SFP (kW/m³/s) 0.553	Voltage (V) 230
------------------------	------------------------------	------------------	------------------------	----------------------	------------------------	------------------------	--------------------

SOUND DATA



Work Point

Air Flow (m³/h) 929	Static Pressure (Pa) 41.1	Power (W) 143	Speed (r.p.m.) 2968	Current (A) 0.624	Efficiency (%) 7.44	SFP (kW/m³/s) 0.553	Voltage (V) 230
---------------------------	---------------------------------	------------------	------------------------	----------------------	------------------------	------------------------	--------------------

TECHNICAL DATA

CK 150 C aut tp 7000045 (50)/60Hz

Parameter	Value	Unit
Voltage	230	V
Phase	1	~
Frequency	60	Hz
Optional frequency	50	Hz
Power	153	W
Current	0.67	A
Speed	2730	r.p.m.
Max. temperature of transported air	65	°C
Max. temperature of transported air when speed controlled	65	°C
Sound pressure level at 3 m	49	dB(A)
Weight	4	kg
Enclosure class	44	IP
Insulation class, motor	F	
Capacitor	3	μF
Duct connection	150	mm
Max. flow	994	m ³ /h
Max. pressure	593	Pa
Voltage range	220-230	V

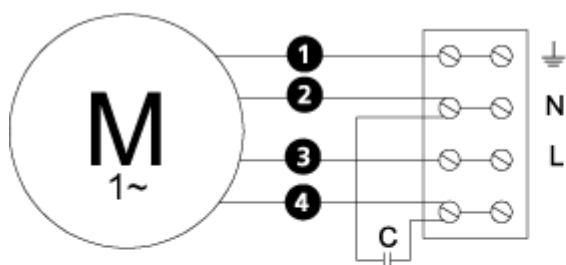
ECODESIGN

Parameter	Value	Unit
(a) Manufacturer	Östberg	-
(b) Model code	CK 150 C (50)/60Hz	-
(c) Declared type	NRVU / UVU	-
(d) Type of drive	Multi-speed drive	-
(e) Type of HRS	N/A	-
(f) Thermal efficiency	N/A	%
(g) Nominal flow rate	0.099	m ³ /s
(h) Effective power input	0.104	kW
(i) SFP int	N/A	W/(m ³ /s)
(j) Face velocity	5.6	m/s
(k) Nominal external pressure	228	Pa
(l) Internal pressure drop	N/A	Pa
(n) Static efficiency	25.2	%
(o) External (internal) leakage rate	0.26	%
(p) Filter classification	N/A	%
(q) Visual filter warning	N/A	-
(r) Sound power level	56	dB LwA
(s) Disassembly instructions	www.ostberg.com	-

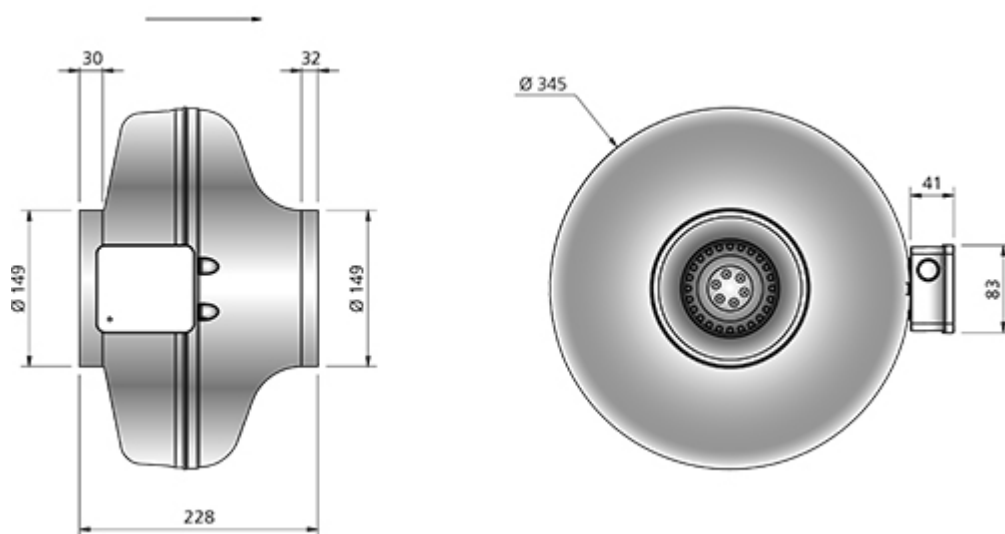
WIRING DIAGRAM

- Ⓜ = Fan Motor
- Ⓜ1 = Fan Motor
- Ⓜ2 = Fan Motor
- Ⓜ3 = Rotor Motor
- ① = Yellow/Green
- ② = Black
- ③ = Blue
- ④ = Brown
- ⑤ = White
- ⑥ = Orange
- ⑦ = Grey
- ⑧ = Red
- ⑨ = Green
- ⑩ = Violet
- ⑪ = Quick switch
- ⑫ = Yellow

4040001



DIMENSIONS



ACCESSORIES

Mechanical accessories



BSV 150



MK 150



LDC 150