

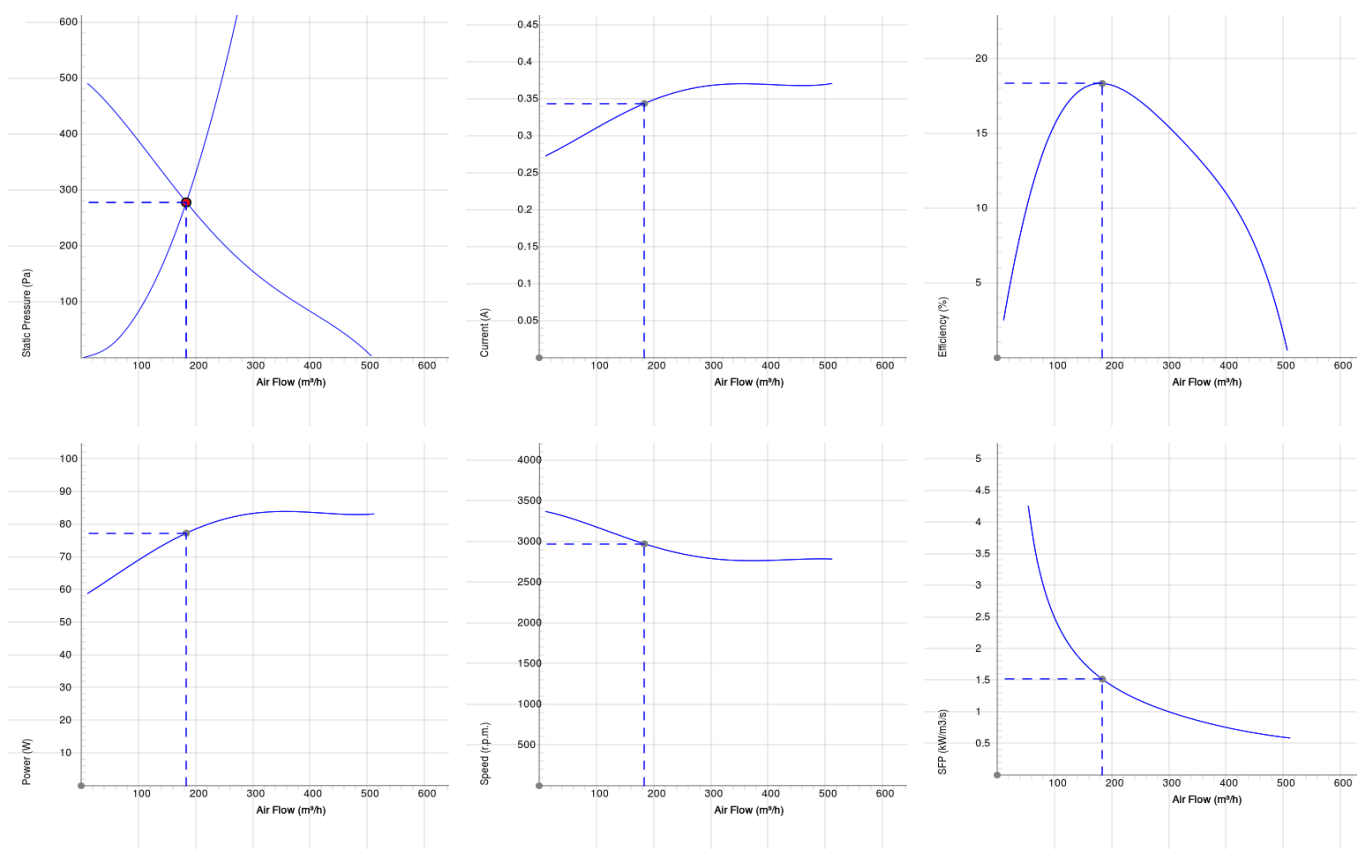
CK 125 C (50)/60HZ



CK

- Duct fan with circular connection.
- Proven performance and reliability.
- Compact with high capacity and efficiency.
- Low sound levels.
- Impeller with backward curved blades.
- The external rotor motor has maintenance-free sealed ball-bearings.
- Integrated motor protection.
- Junction box has enclosure class IP 54.
- For speed control a transformer or electronic speed controller can be connected.
- Fan housing is manufactured from galvanized sheet steel.
- The fan is intended to be installed in a duct system.
- When duct connected the fan can be installed outside or in damp environments.
- Easy installation in any position.

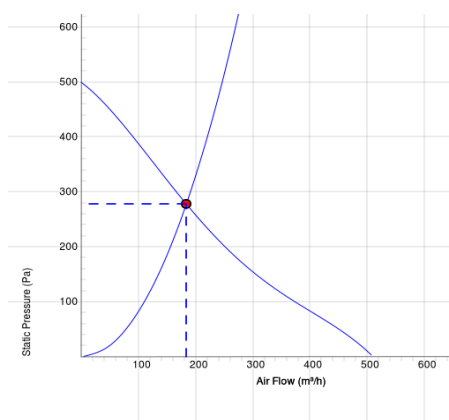
DIAGRAMS



Work Point

Air Flow (m³/h) 184	Static Pressure (Pa) 278	Power (W) 77.3	Speed (r.p.m.) 2971	Current (A) 0.343	Efficiency (%) 18.3	SFP (kW/m³/s) 1.51	Voltage (V) 230
------------------------	-----------------------------	-------------------	------------------------	----------------------	------------------------	-----------------------	--------------------

SOUND DATA



	Tot	63	125	250	500	1k	2k	4k	8k
■ Inlet Lw dB(A)	74.1	52.9	58.3	70.1	68.3	67.2	62.7	57.2	50.7
■ Outlet Lw dB(A)	72.7	49.3	60.0	66.1	68.3	65.8	63.5	58.4	51.6
■ Surrounding Lw dB(A)	55.0	35.1	35.8	46.7	42.5	49.6	45.2	50.4	41.6

Work Point

Air Flow (m³/h) 184	Static Pressure (Pa) 278	Power (W) 77.3	Speed (r.p.m.) 2971	Current (A) 0.343	Efficiency (%) 18.3	SFP (kW/m3/s) 1.51	Voltage (V) 230
------------------------	-----------------------------	-------------------	------------------------	----------------------	------------------------	-----------------------	--------------------

TECHNICAL DATA

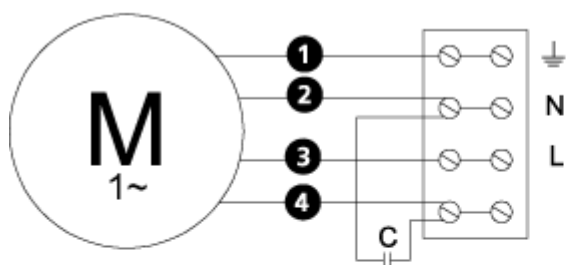
CK 125 C aut tp 7000040 (50)/60Hz

Parameter	Value	Unit
Voltage	220	V
Phase	1	~
Frequency	60	Hz
Optional frequency	50	Hz
Power	84	W
Current	0.37	A
Speed	2760	r.p.m.
Max. temperature of transported air	70	°C
Max. temperature of transported air when speed controlled	70	°C
Sound pressure level at 3 m	45	dB(A)
Weight	2.6	kg
Enclosure class	44	IP
Insulation class, motor	F	
Capacitor	2	μF
Duct connection	125	mm
Max. flow	511	m ³ /h
Max. pressure	499	Pa
Voltage range	220-240	V

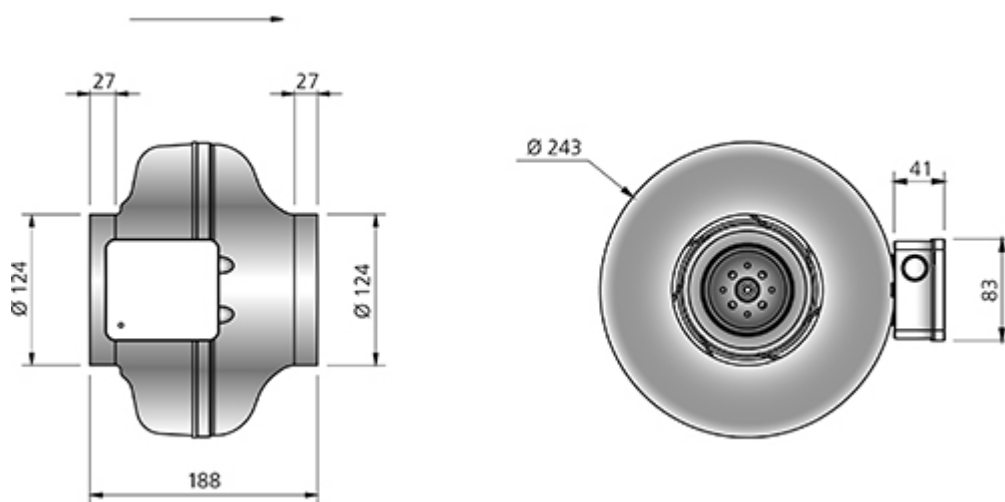
WIRING DIAGRAM

- Ⓜ = Fan Motor
- Ⓜ1 = Fan Motor
- Ⓜ2 = Fan Motor
- Ⓜ3 = Rotor Motor
- ① = Yellow/Green
- ② = Black
- ③ = Blue
- ④ = Brown
- ⑤ = White
- ⑥ = Orange
- ⑦ = Grey
- ⑧ = Red
- ⑨ = Green
- ⑩ = Violet
- ⑪ = Quick switch
- ⑫ = Yellow

4040001



DIMENSIONS



ACCESSORIES

Mechanical accessories



FLF 125



FLK 125



BSV 125



MK 125



VK 125



YG 125



LDC 125