

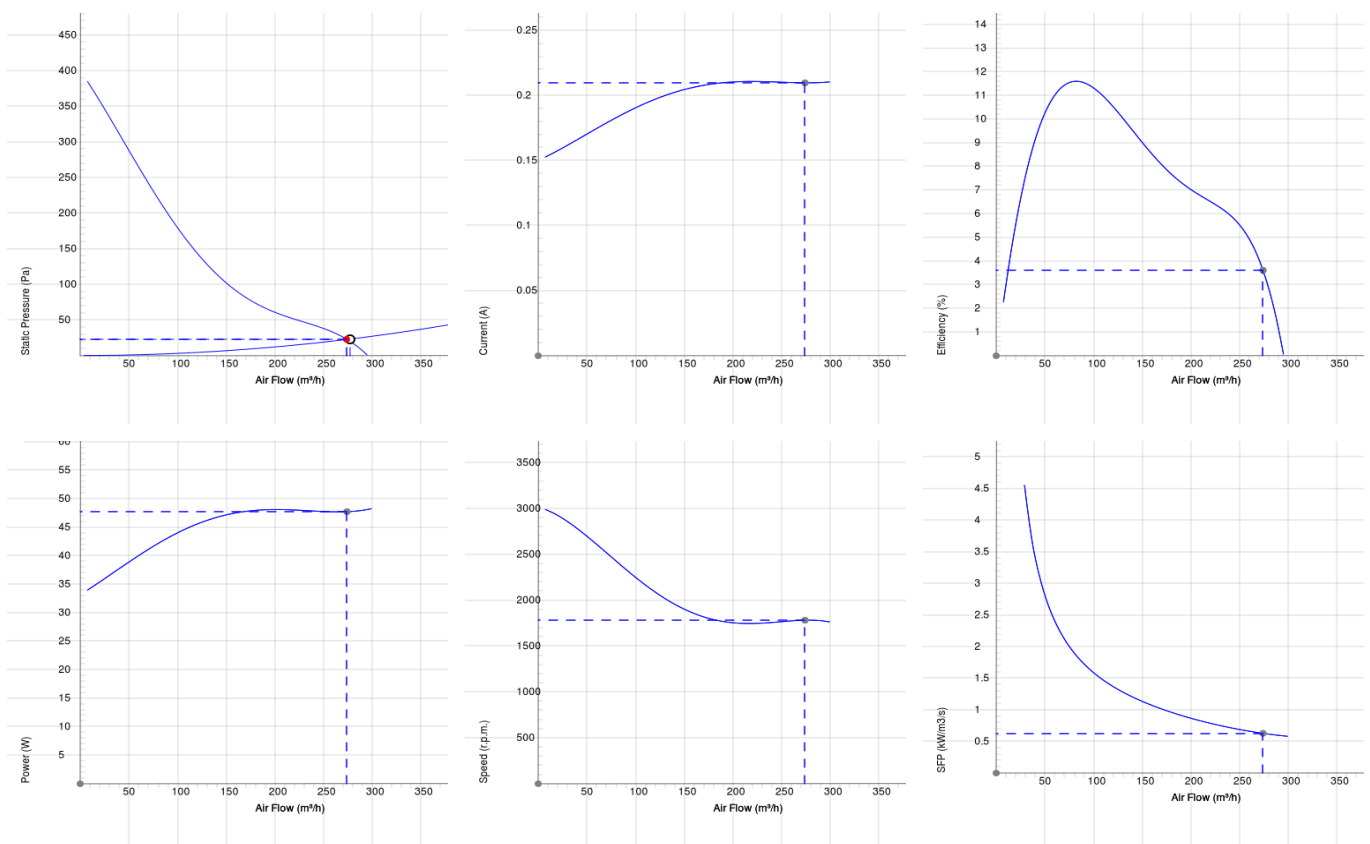
## CK 125 A (50)/60HZ



### CK

- Duct fan with circular connection.
- Proven performance and reliability.
- Compact with high capacity and efficiency.
- Low sound levels.
- Impeller with backward curved blades.
- The external rotor motor has maintenance-free sealed ball-bearings.
- Integrated motor protection.
- Junction box has enclosure class IP 54.
- For speed control a transformer or electronic speed controller can be connected.
- Fan housing is manufactured from galvanized sheet steel.
- The fan is intended to be installed in a duct system.
- When duct connected the fan can be installed outside or in damp environments.
- Easy installation in any position.

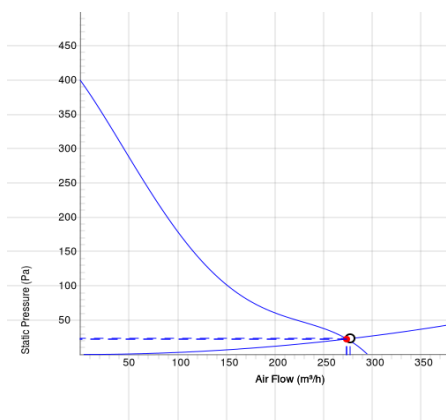
## DIAGRAMS



## Work Point

Air Flow (m³/h) 274	Static Pressure (Pa) 22.6	Power (W) 47.7	Speed (r.p.m.) 1781	Current (A) 0.21	Efficiency (%) 3.6	SFP (kW/m³/s) 0.627	Voltage (V) 230
------------------------	------------------------------	-------------------	------------------------	---------------------	-----------------------	------------------------	--------------------

## SOUND DATA



	Tot	63	125	250	500	1k	2k	4k	8k
<b>Inlet Lw dB(A)</b>	56.3	39.0	48.7	50.7	51.4	48.0	42.4	39.6	21.0
<b>Outlet Lw dB(A)</b>	55.6	37.9	46.1	49.6	51.6	47.3	43.0	37.7	22.6
<b>Surrounding Lw dB(A)</b>	37.8	21.3	27.8	29.9	30.1	32.2	29.5	25.8	24.4

## Work Point

Air Flow (m³/h) 274	Static Pressure (Pa) 22.6	Power (W) 47.7	Speed (r.p.m.) 1781	Current (A) 0.21	Efficiency (%) 3.6	SFP (kW/m³/s) 0.627	Voltage (V) 230
------------------------	------------------------------	-------------------	------------------------	---------------------	-----------------------	------------------------	--------------------

## TECHNICAL DATA

### CK 125 A aut tp 7000037 (50)/60Hz

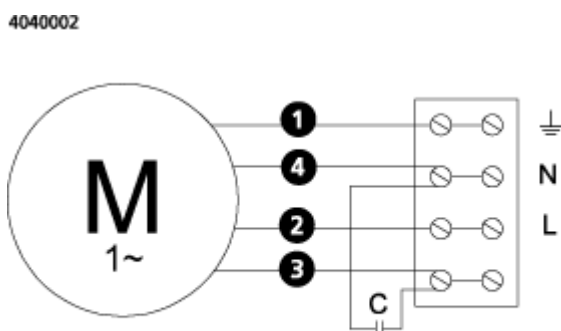
Parameter	Value	Unit
Voltage	230	V
Phase	1	~
Frequency	60	Hz
Optional frequency	50	Hz
Power	48	W
Current	0.21	A
Speed	1780	r.p.m.
Max. temperature of transported air	60	°C
Max. temperature of transported air when speed controlled	60	°C
Sound pressure level at 3 m	31	dB(A)
Weight	2.6	kg
Enclosure class	44	IP
Insulation class, motor	F	
Capacitor	3	µF
Duct connection	125	mm
Max. flow	299	m <sup>3</sup> /h
Max. pressure	395	Pa
Voltage range	220-240	V

## ECODESIGN

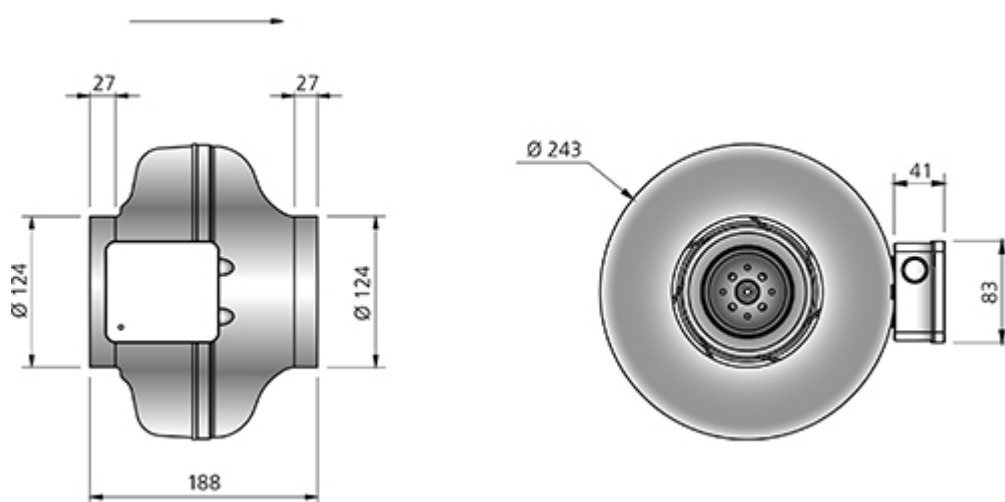
Parameter	Value	Unit
(a) Manufacturer	Östberg	-
(b) Model code	CK 125 A (50)/60Hz	-
(c) SEC value	-6.4	kWh/m <sup>2</sup>
SEC class	F	-
(d) Declared type	RVU / UVU	-
(e) Type of drive	Multi-speed drive (accessory)	-
(f) Type of heat recovery	N/A	-
(g) Thermal efficiency	N/A	%
(h) Max. flow rate (@100Pa)	99	m <sup>3</sup> /h
(i) Power at max. flow rate	34	kW
(j) Sound power level	41	dB LwA
(k) Reference flow rate	0.028	m <sup>3</sup> /s
(l) Reference pressure difference	50	Pa
(m) SPI	0.34	W/(m <sup>3</sup> /h)
(n) Type of control	Manual control	-
(o) External (internal) leakage rate	0.81	%
(p) Mixing rate	N/A	-
(q) Visual filter warning	N/A	-
(r) Instruction supply/exhaust grilles	See manual	-
(s) Disassembly instructions	<a href="http://www.ostberg.com">www.ostberg.com</a>	-
(t) Airflow sensitivity	N/A	-
(u) Air tightness	N/A	m/s
(v) AEC	1121	kWh
(w) AHS average	2005	kWh
AHS warm	907	kWh
AHS cold	3922	kWh

## WIRING DIAGRAM

- Ⓜ = Fan Motor
- Ⓜ1 = Fan Motor
- Ⓜ2 = Fan Motor
- Ⓜ3 = Rotor Motor
- 1 = Yellow/Green
- 2 = Black
- 3 = Blue
- 4 = Brown
- 5 = White
- 6 = Orange
- 7 = Grey
- 8 = Red
- 9 = Green
- 10 = Violet
- 11 = Quick switch
- 12 = Yellow



## DIMENSIONS



## ACCESSORIES

### Mechanical accessories



FLF 125



FLK 125



BSV 125



MK 125



VK 125



YG 125



LDC 125