

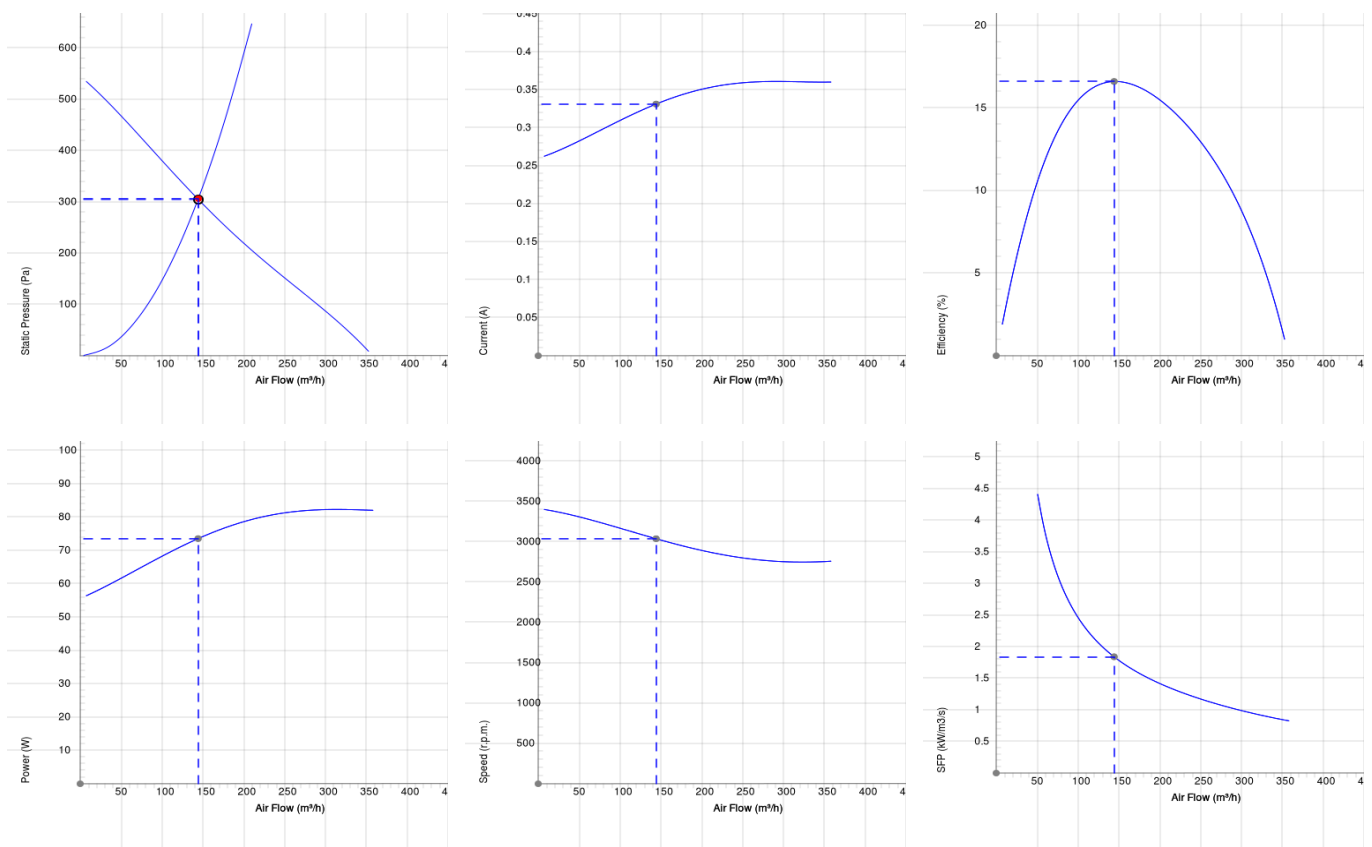
CK 100 C (50)/60HZ



CK

- Duct fan with circular connection.
- Proven performance and reliability.
- Compact with high capacity and efficiency.
- Low sound levels.
- Impeller with backward curved blades.
- The external rotor motor has maintenance-free sealed ball-bearings.
- Integrated motor protection.
- Junction box has enclosure class IP 54.
- For speed control a transformer or electronic speed controller can be connected.
- Fan housing is manufactured from galvanized sheet steel.
- The fan is intended to be installed in a duct system.
- When duct connected the fan can be installed outside or in damp environments.
- Easy installation in any position.

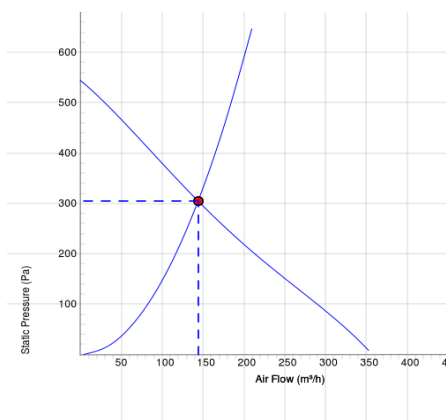
DIAGRAMS



Work Point

Air Flow (m ³ /h) 144	Static Pressure (Pa) 305	Power (W) 73.5	Speed (r.p.m.) 3036	Current (A) 0.331	Efficiency (%) 16.6	SFP (kW/m ³ /s) 1.84	Voltage (V) 230
--	--------------------------------	-------------------	------------------------	----------------------	------------------------	------------------------------------	--------------------

SOUND DATA



	Tot	63	125	250	500	1k	2k	4k	8k
Inlet Lw dB(A)	73.5	50.8	63.9	68.1	67.2	67.2	62.9	58.0	51.2
Outlet Lw dB(A)	73.7	50.2	65.7	66.8	67.0	67.3	65.2	59.1	52.6
Surrounding Lw dB(A)	54.5	27.7	30.8	41.6	42.9	50.2	49.5	46.6	38.1

Work Point

Air Flow (m³/h) 144	Static Pressure (Pa) 305	Power (W) 73.5	Speed (r.p.m.) 3036	Current (A) 0.331	Efficiency (%) 16.6	SFP (kW/m³/s) 1.84	Voltage (V) 230
---------------------------	--------------------------------	-------------------	------------------------	----------------------	------------------------	-----------------------	--------------------

TECHNICAL DATA

CK 100 C aut tp 7000034 (50)/60Hz

Parameter	Value	Unit
Voltage	230	V
Phase	1	~
Frequency	60	Hz
Optional frequency	50	Hz
Power	82	W
Current	0.36	A
Speed	2750	r.p.m.
Max. temperature of transported air	80	°C
Max. temperature of transported air when speed controlled	80	°C
Sound pressure level at 3 m	45	dB(A)
Weight	2.6	kg
Enclosure class	44	IP
Insulation class, motor	F	
Capacitor	2	μF
Duct connection	100	mm
Max. flow	356	m ³ /h
Max. pressure	544	Pa
Voltage range	220-240	V

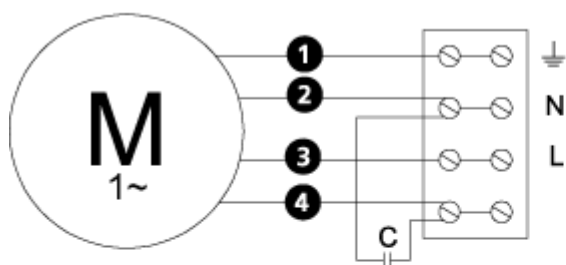
ECODESIGN

Parameter	Value	Unit
(a) Manufacturer	Östberg	-
(b) Model code	CK 100 C (50)/60Hz	-
(c) SEC value	-2.0	kWh/m ²
SEC class	F	-
(d) Declared type	RVU / UVU	-
(e) Type of drive	Multi-speed drive (accessory)	-
(f) Type of heat recovery	N/A	-
(g) Thermal efficiency	N/A	%
(h) Max. flow rate (@100Pa)	141	m ³ /h
(i) Power at max. flow rate	68	kW
(j) Sound power level	50	dB LwA
(k) Reference flow rate	0.039	m ³ /s
(l) Reference pressure difference	50	Pa
(m) SPI	0.48	W/(m ³ /h)
(n) Type of control	Manual control	-
(o) External (internal) leakage rate	0.57	%
(p) Mixing rate	N/A	-
(q) Visual filter warning	N/A	-
(r) Instruction supply/exhaust grilles	See manual	-
(s) Disassembly instructions	www.ostberg.com	-
(t) Airflow sensitivity	N/A	-
(u) Air tightness	N/A	m/s
(v) AEC	1555	kWh
(w) AHS average	2005	kWh
AHS warm	907	kWh
AHS cold	3922	kWh

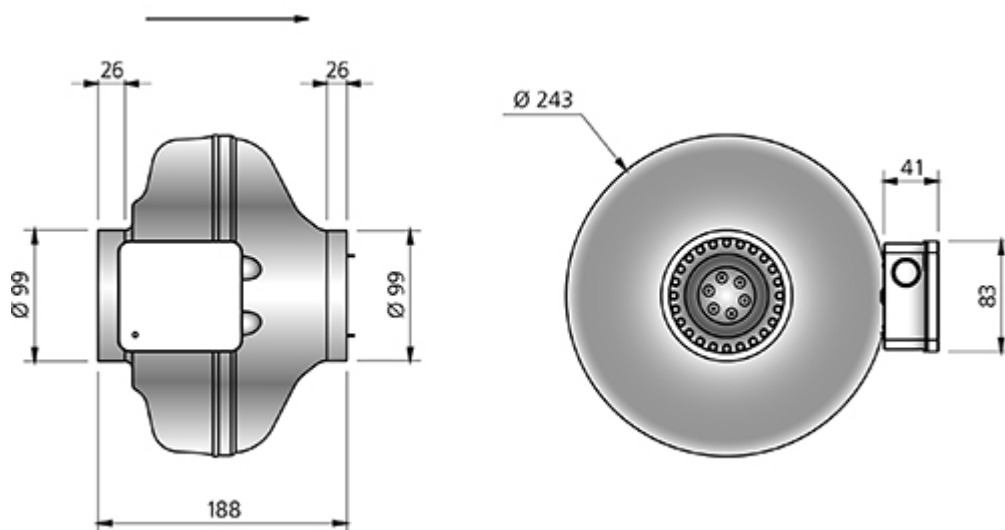
WIRING DIAGRAM

- Ⓜ = Fan Motor
- Ⓜ1 = Fan Motor
- Ⓜ2 = Fan Motor
- Ⓜ3 = Rotor Motor
- ① = Yellow/Green
- ② = Black
- ③ = Blue
- ④ = Brown
- ⑤ = White
- ⑥ = Orange
- ⑦ = Grey
- ⑧ = Red
- ⑨ = Green
- ⑩ = Violet
- ⑪ = Quick switch
- ⑫ = Yellow

4040001



DIMENSIONS



ACCESSORIES

Mechanical accessories



FLF 100



FLK 100



BSV 100



MK 100



VK 100



YG 100



LDC 100