

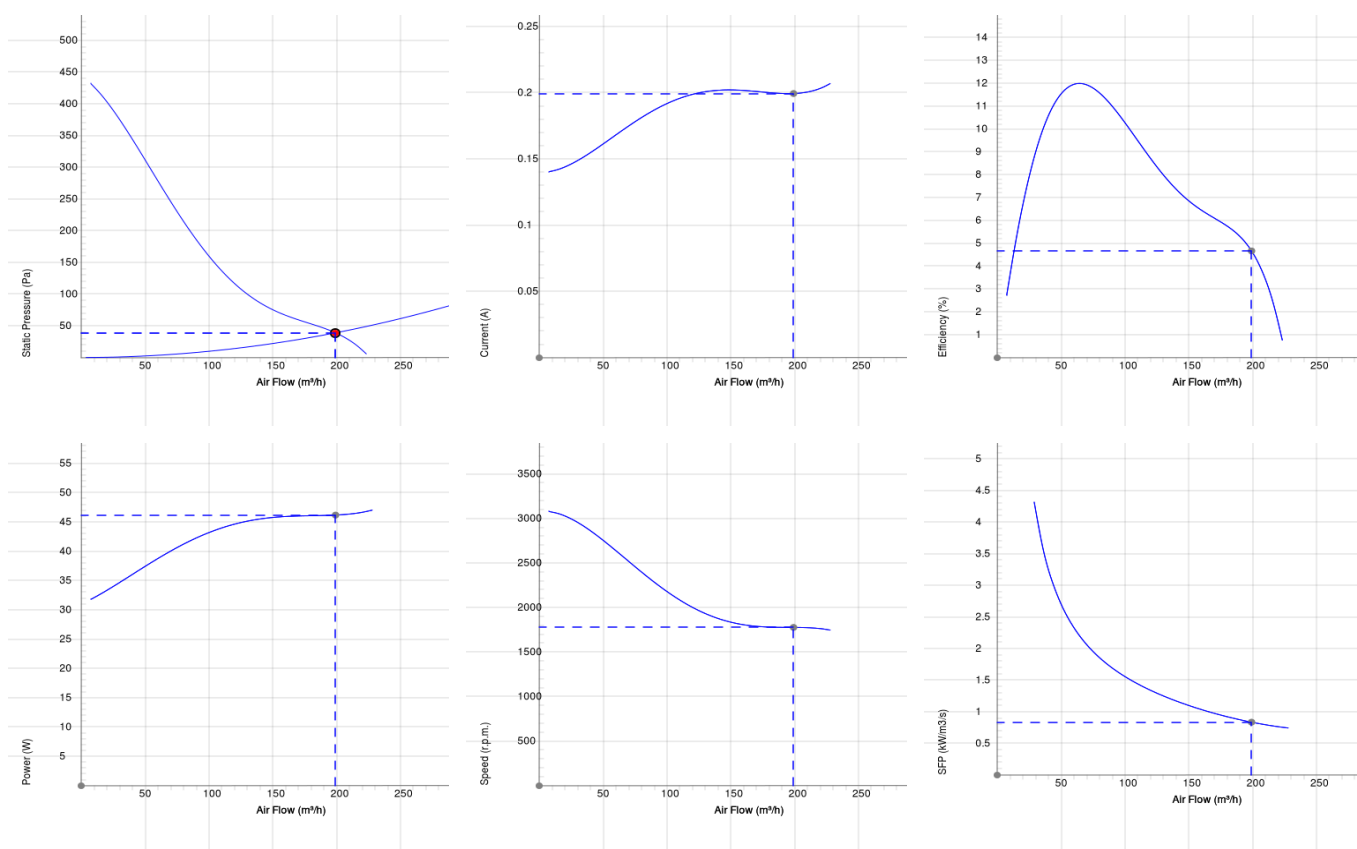
CK 100 A (50)/60HZ



CK

- Duct fan with circular connection.
- Proven performance and reliability.
- Compact with high capacity and efficiency.
- Low sound levels.
- Impeller with backward curved blades.
- The external rotor motor has maintenance-free sealed ball-bearings.
- Integrated motor protection.
- Junction box has enclosure class IP 54.
- For speed control a transformer or electronic speed controller can be connected.
- Fan housing is manufactured from galvanized sheet steel.
- The fan is intended to be installed in a duct system.
- When duct connected the fan can be installed outside or in damp environments.
- Easy installation in any position.

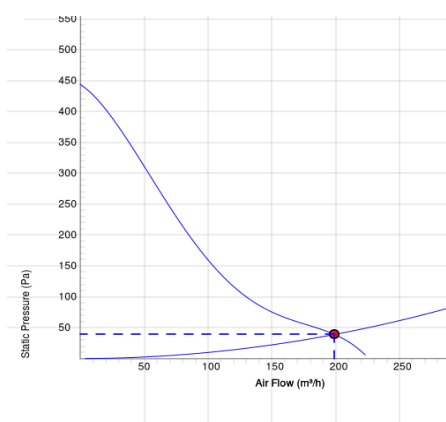
DIAGRAMS



Work Point

Air Flow (m³/h) 199	Static Pressure (Pa) 38.9	Power (W) 46.2	Speed (r.p.m.) 1775	Current (A) 0.199	Efficiency (%) 4.66	SFP (kW/m³/s) 0.835	Voltage (V) 230
------------------------	------------------------------	-------------------	------------------------	----------------------	------------------------	------------------------	--------------------

SOUND DATA



	Tot	63	125	250	500	1k	2k	4k	8k
■ Inlet Lw dB(A)	57.5	34.7	50.9	52.1	51.4	49.6	44.6	41.8	22.8
■ Outlet Lw dB(A)	58.9	37.0	54.1	52.9	52.1	49.6	46.0	43.9	26.8
■ Surrounding Lw dB(A)	40.2	22.2	28.4	29.3	31.6	36.6	32.8	26.6	24.7

Work Point

Air Flow (m³/h) 199	Static Pressure (Pa) 38.9	Power (W) 46.2	Speed (r.p.m.) 1775	Current (A) 0.199	Efficiency (%) 4.66	SFP (kW/m3/s) 0.835	Voltage (V) 230
------------------------	------------------------------	-------------------	------------------------	----------------------	------------------------	------------------------	--------------------

TECHNICAL DATA

CK 100 A aut tp 7000030 (50)/60Hz

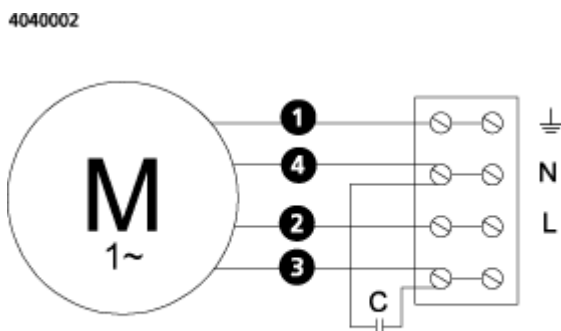
Parameter	Value	Unit
Voltage	230	V
Phase	1	~
Frequency	60	Hz
Optional frequency	50	Hz
Power	47	W
Current	0.21	A
Speed	1760	r.p.m.
Max. temperature of transported air	60	°C
Max. temperature of transported air when speed controlled	60	°C
Sound pressure level at 3 m	33	dB(A)
Weight	2.6	kg
Enclosure class	44	IP
Insulation class, motor	F	
Capacitor	3	µF
Duct connection	100	mm
Max. flow	227	m ³ /h
Max. pressure	443	Pa
Voltage range	220-240	V

ECODESIGN

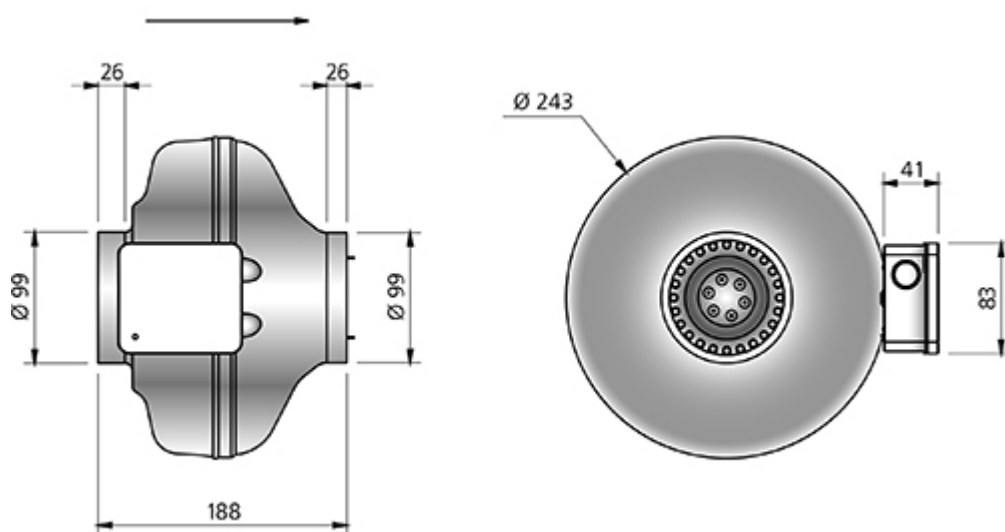
Parameter	Value	Unit
(a) Manufacturer	Östberg	-
(b) Model code	CK 100 A (50)/60Hz	-
(c) SEC value	-4.6	kWh/m ²
SEC class	F	-
(d) Declared type	RVU / UVU	-
(e) Type of drive	Multi-speed drive (accessory)	-
(f) Type of heat recovery	N/A	-
(g) Thermal efficiency	N/A	%
(h) Max. flow rate (@100Pa)	131	m ³ /h
(i) Power at max. flow rate	42	kW
(j) Sound power level	42	dB LwA
(k) Reference flow rate	0.025	m ³ /s
(l) Reference pressure difference	50	Pa
(m) SPI	0.4	W/(m ³ /h)
(n) Type of control	Manual control	-
(o) External (internal) leakage rate	0.61	%
(p) Mixing rate	N/A	-
(q) Visual filter warning	N/A	-
(r) Instruction supply/exhaust grilles	See manual	-
(s) Disassembly instructions	www.ostberg.com	-
(t) Airflow sensitivity	N/A	-
(u) Air tightness	N/A	m/s
(v) AEC	1298	kWh
(w) AHS average	2005	kWh
AHS warm	907	kWh
AHS cold	3922	kWh

WIRING DIAGRAM

- Ⓜ = Fan Motor
- Ⓜ1 = Fan Motor
- Ⓜ2 = Fan Motor
- Ⓜ3 = Rotor Motor
- 1 = Yellow/Green
- 2 = Black
- 3 = Blue
- 4 = Brown
- 5 = White
- 6 = Orange
- 7 = Grey
- 8 = Red
- 9 = Green
- 10 = Violet
- 11 = Quick switch
- 12 = Yellow



DIMENSIONS



ACCESSORIES

Mechanical accessories



FLF 100



FLK 100



BSV 100



MK 100



VK 100



YG 100



LDC 100